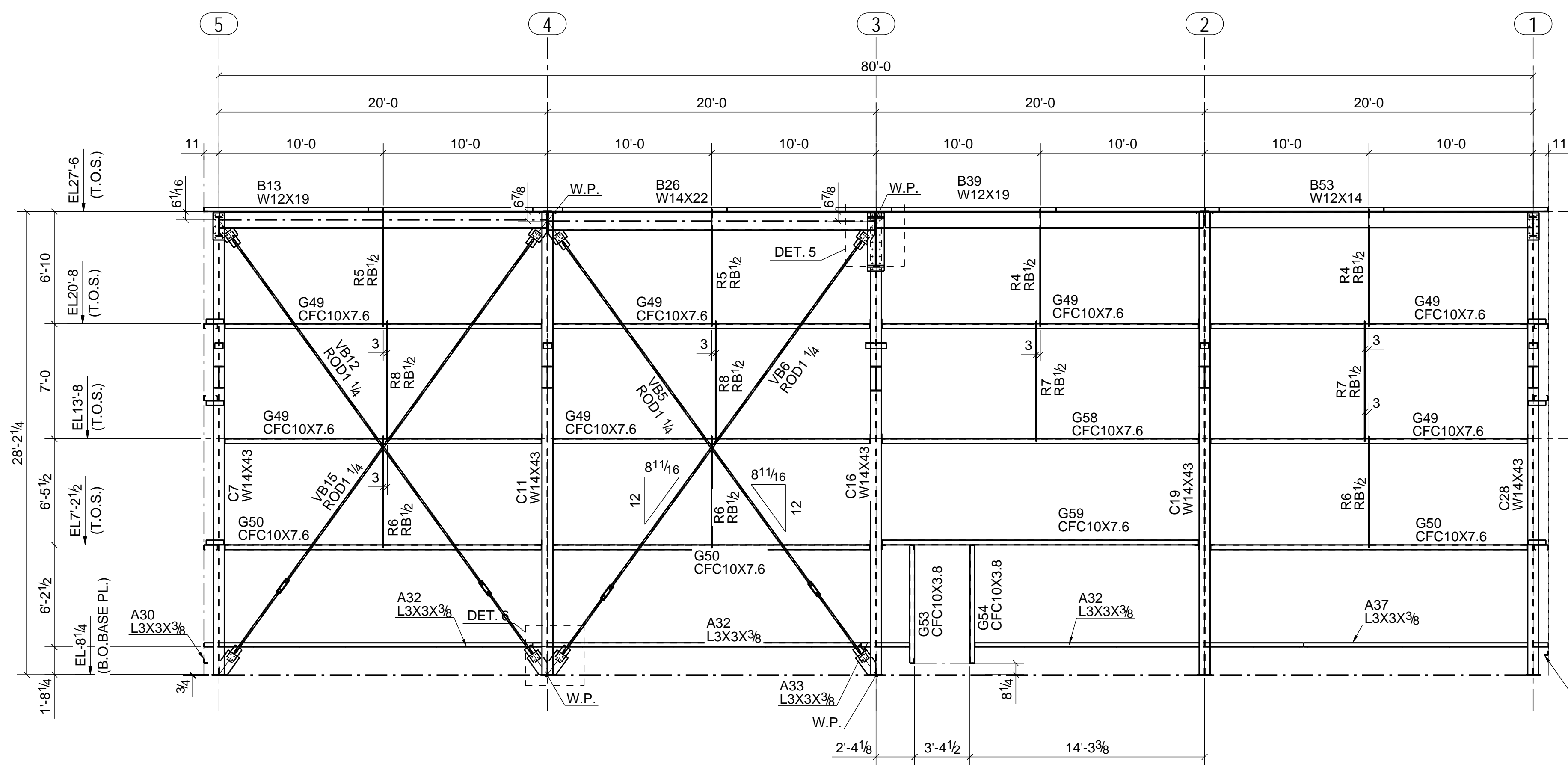
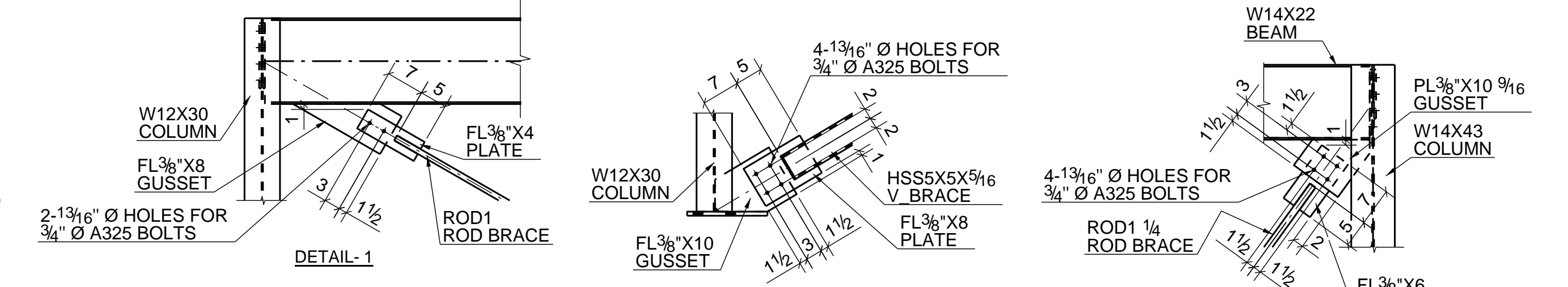
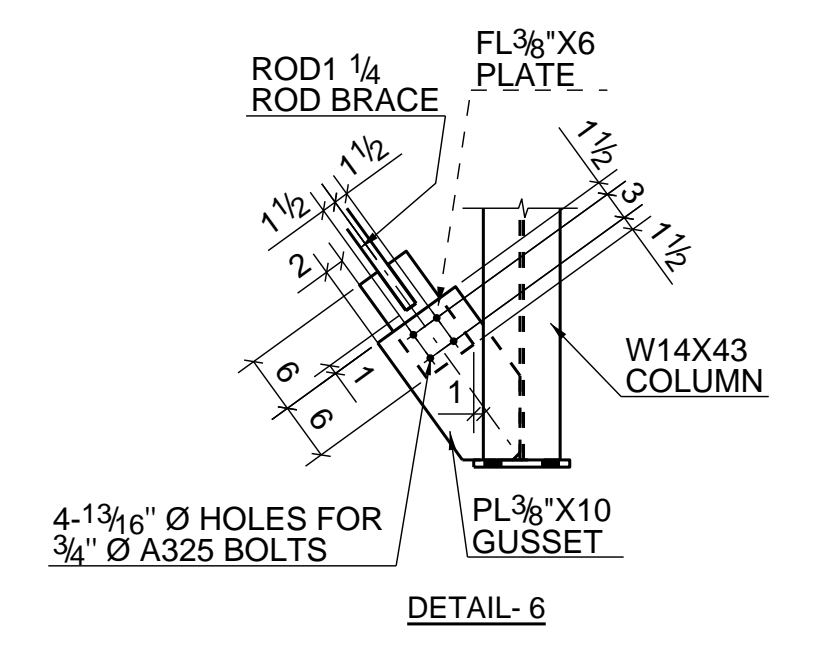
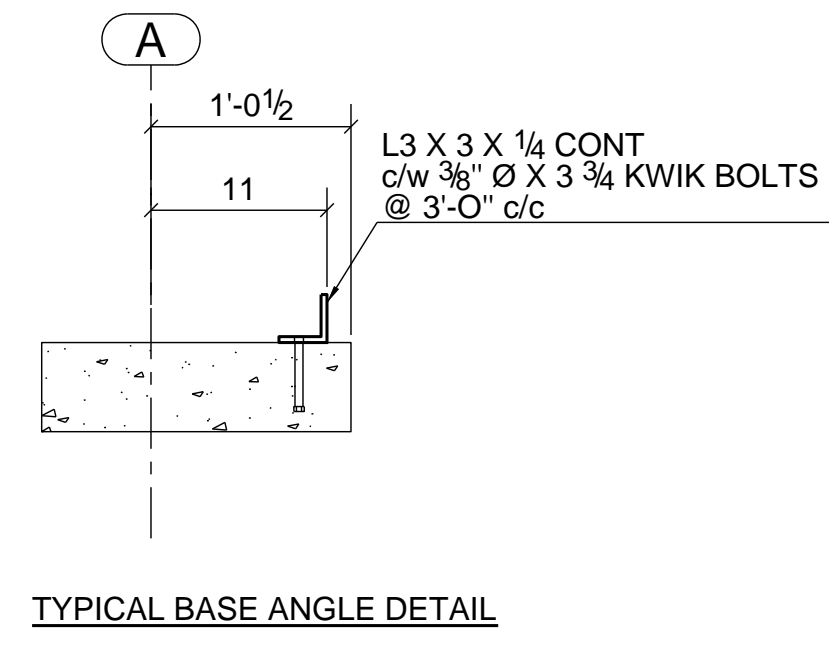
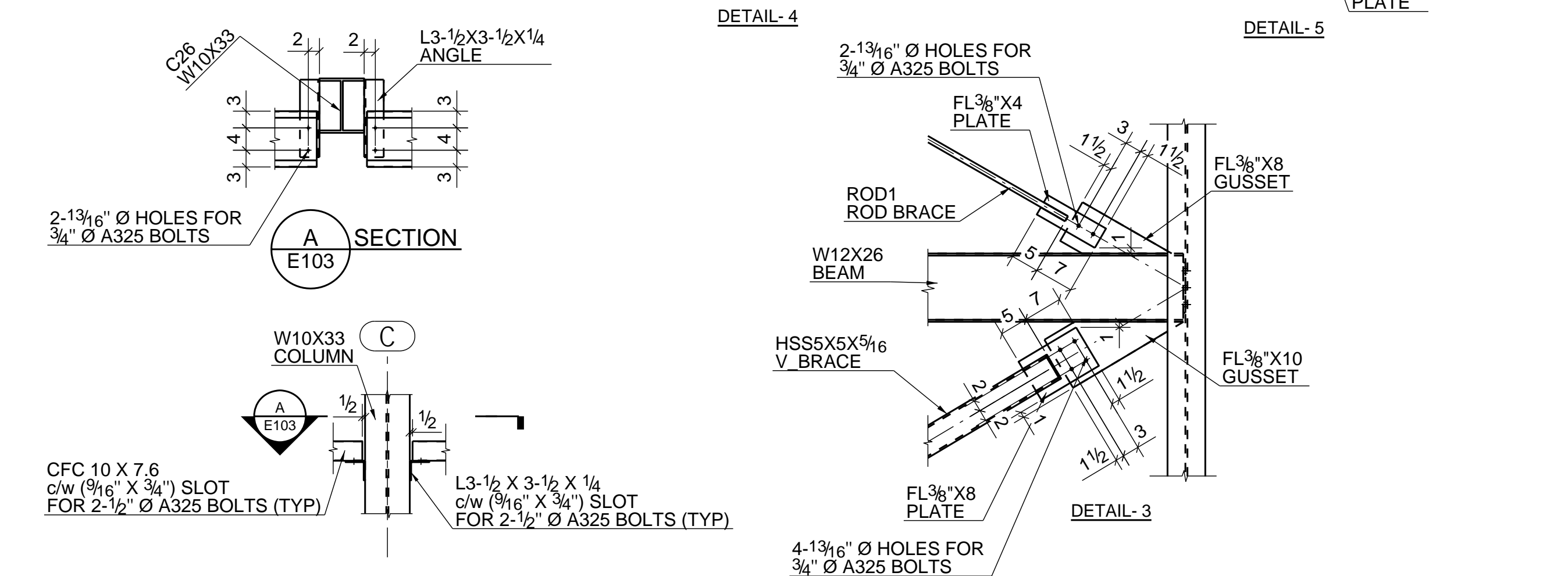


ELEVATION ALONG GRID LINE-1



ELEVATION ALONG GRID LINE -A



TYPICAL BASE ANGLE DETAIL

NOTES--